

STRUCTURE Silicon Monolithic Integrated Circuit
 TYPE Tripple 2ch Analog Multiplexer / Demultiplexer

PRODUCT SERIES **BU4053BC**
BU4053BCF
BU4053BCFV

FEATURES

- Wide operating power supply range(3[V]~18[V])
- High impedance input

○ ABSOLUTE MAXIMUM RATINGS (Ta=25[°C])

| Parameter | Symbol | Limit | Unit |
|------------------------------|---------|----------------------|--------------|
| Power Supply Voltage1 | VDD | (VSS-0.5)~(VSS+20.0) | V |
| Power Supply Voltage2 | VDD-VEE | (VSS-0.5)~(VSS+20.0) | V |
| Power Dissipation | Pd | BU4053BC | 1250(*1)(*4) |
| | | BU4053BCF | 380(*2)(*4) |
| | | BU4053BCFV | 620(*3)(*4) |
| Supply current | Iin | ± 10 | mA |
| Operating temperature | Topr | -40~+85 | °C |
| Storage temperature | Tstg | -55~+150 | °C |
| Input Voltage | Vin | (VSS-0.5)~(VDD+0.5) | V |
| Maximum junction temperature | Tjmax | 150 | °C |

• This product is designed for protection against radioactive rays.

(*1) When used at Ta=25[°C] on above, value of above is reduced 10.0[mW] per 1[°C].

(*2) When used at Ta=25[°C] on above, value of above is reduced 3.1[mW] per 1[°C].

(*3) When used at Ta=25[°C] on above, value of above is reduced 5.0[mW] per 1[°C].

(*4) Power dissipation is the value for mounting 70[mm]×[70mm]×1.6[mm] FR4 glass epoxy circuit board (copper foil area is 3% or less).

○ OPERATING CONDITION (Ta=-40~+85[°C])

| Parameter | Symbol | Limit | Unit |
|-----------------------|---------|------------|------|
| Power Supply Voltage1 | VDD | +3.0~+18.0 | V |
| Power Supply Voltage2 | VDD-VEE | +3.0~+18.0 | V |
| Input voltage | VIN | 0~VDD | V |

Status of this document

The Japanese version of this document is the official specification.

This translated version is intended only as a reference, to aid in understanding the official version.

If there are any differences between the original and translated versions of this document, the official Japanese language version takes priority.

○ ELECTRICAL CHARACTERISTICS (unless otherwise noted, VSS=VEE=0[V], Ta=25[°C])

| Parameter | Symbol | Standard Value | | | Unit | VDD[V] | Condition |
|-----------------------------|-----------------|----------------|-----|------|------|--------|-------------|
| | | MIN | TYP | MAX | | | |
| Input "H" voltage | VIH | 3.5 | — | — | V | 5 | — |
| | | 7.0 | — | — | V | 10 | |
| | | 11.0 | — | — | V | 15 | |
| Input "L" voltage | VIL | — | — | 1.5 | V | 5 | — |
| | | — | — | 3.0 | V | 10 | |
| | | — | — | 4.0 | V | 15 | |
| Input "H" current | I _{IH} | — | — | 0.3 | μA | 15 | VIH=15[V] |
| Input "L" current | I _{IL} | — | — | -0.3 | μA | 15 | VIL=0[V] |
| ON resistance | RON | — | — | 950 | Ω | 5 | VIN=VDD/2 |
| | | — | — | 250 | Ω | 10 | |
| | | — | — | 160 | Ω | 15 | |
| ON resistance defluxion | ΔRON | — | 10 | — | Ω | 5 | — |
| | | — | 6 | — | Ω | 10 | |
| | | — | 4 | — | Ω | 15 | |
| Channel-OFF Leakage current | IOFF | — | — | 0.3 | μA | 15 | — |
| | | — | — | -0.3 | μA | 15 | |
| Supply current | IDD | — | — | 5 | μA | 5 | VIN=GND,VDD |
| | | — | — | 10 | μA | 10 | |
| | | — | — | 15 | μA | 15 | |
| Input capacitance | CIN | — | 5 | — | pF | — | — |

○ Switching Characteristics (unless otherwise noted, Ta=25[°C], VSS=VEE=0[V], RL=10[kΩ], CL=50[pF])

| Parameter | Symbol | Standard Value | | | Unit | VDD[V] | Condition |
|--------------------------------------|--|----------------|------|-----|------|--------|-----------|
| | | MIN | TYP | MAX | | | |
| Propagation delay time (SW IN → OUT) | t _{PLH} t _{PHL} | — | 15 | 45 | ns | 5 | — |
| | | — | 8 | 20 | ns | 10 | |
| | | — | 6 | 15 | ns | 15 | |
| Propagation delay time (A,B,C → OUT) | t _{PHZ} t _{PLZ} t _{PZH} t _{PZL} | — | 170 | 550 | ns | 5 | — |
| | | — | 90 | 240 | ns | 10 | |
| | | — | 70 | 160 | ns | 15 | |
| Propagation delay time (INH → OUT) | t _{PHZ} t _{PLZ} t _{PZH} t _{PZL} | — | 150 | 380 | ns | 5 | — |
| | | — | 70 | 200 | ns | 10 | |
| | | — | 50 | 160 | ns | 15 | |
| Maximum propagation frequency (*5) | f _{max} | — | 20 | — | MHz | 5 | VEE=-5[V] |
| Feed through attenuation (*6) | F.T | — | 0.7 | — | MHz | 5 | VEE=-5[V] |
| Sine wave distortion (*7) | D | — | 0.02 | — | % | 5 | VEE=-5[V] |

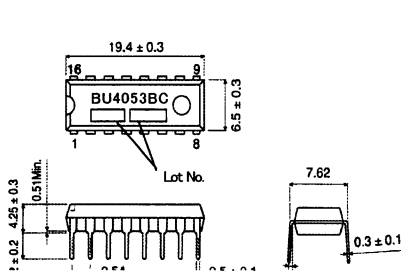
(*5) VIN:5Vp-p Sine wave, frequency where gain is 20log(VOUT/VIN)=-3[dB]

(*6) VIN:5Vp-p Sine wave, frequency where gain is 20log(VOUT/VIN)=-50[dB] at channel Off

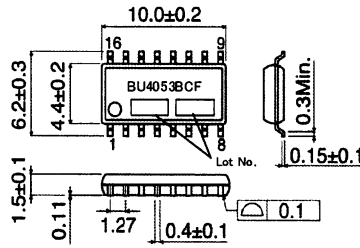
(*7) VIN:5Vp-p Sine wave, f=1[kHz]

*Maximum value is under design guarantee.

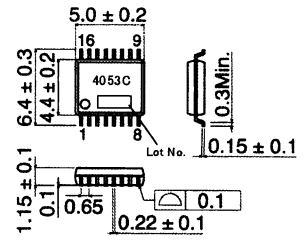
○ PHYSICAL DIMENSIONS



BU4053BC(DIP16)(UNIT:[mm])

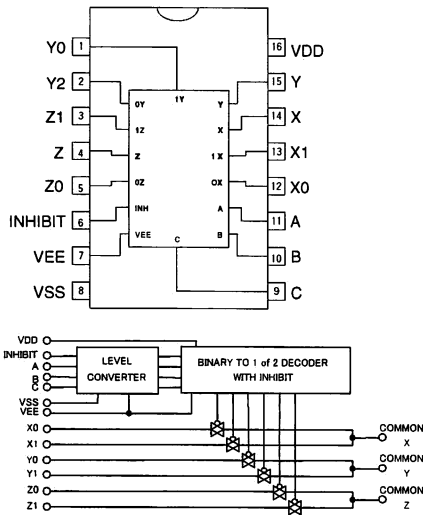


BU4053BCF(SOP16)(UNIT:[mm])



BU4053BCFV(SSOP-B16)(UNIT:[mm])

○ BLOCK DIAGRAM



○ PIN DESCRIPTION

| PIN No. | PIN NAME |
|---------|----------|
| 1 | Y1 |
| 2 | Y0 |
| 3 | Z1 |
| 4 | Z |
| 5 | Z0 |
| 6 | INHIBIT |
| 7 | VEE |
| 8 | VSS |
| 9 | C |
| 10 | B |
| 11 | A |
| 12 | X0 |
| 13 | X1 |
| 14 | X |
| 15 | Y |
| 16 | VDD |

○ NOTES FOR USE

(1) Absolute maximum ratings

Exceeding the absolute maximum ratings, including applied voltage and operating temperature range, may damage or destroy the IC. Since the cause of the damage cannot be conclusively identified (as, for example, a short or open mode), be sure to take appropriate physical safety measures, such as incorporating fuses, whenever a special mode anticipated to exceed absolute maximum ratings is employed.

(2) External voltage at input terminal

VDD+0.3[V], VSS-0.3[V] can be input led without characteristics deterioration and destruction. However the circuit operation is not guaranteed. Please use within recommended operating conditions.

(3) Treatment about input of unused circuit

Redundancy current and oscillation may occur, so untreated input should be connected to VDD or VSS. At connection, it is better to connect resistance (about 100kΩ).

(4) Power Dissipation

If the IC is used out of this power dissipation area, the faulty operation or reduction of current characteristics may occur due to the rise of IC temperature. Also, be sure to Use this IC within a power dissipation range while also allowing enough margins.

(5) Mounting errors

Mounting errors, such as incorrect positioning or orientation, may destroy the device.

(6) Electromagnetic fields

Use in strong electromagnetic fields may cause malfunctions. Be careful operating in electromagnetic fields.

(7) Treatment of IC

Stress (camber, bend etc) may cause characteristic change due to piezo electric effect.
Pay attention to stress.

(8) Latch up

Please pay attention to the deterioration and destruction by parasitic element action and latch up that occurs when excessive noise, surge on negatic voltage is loaded at the normal operation.

(9) Test with set PCB

When you connect capacitor to low impedance terminal. You should discharge to avoid stress under IC.

Also at attachment and detachment to jig in testing line, its power supply should be "OFF" .

Moreover for static electricity, please set ground to assembly line, and pong enough attention at conveyance on storage.

Notes

- No technical content pages of this document may be reproduced in any form or transmitted by any means without prior permission of ROHM CO.,LTD.
- The contents described herein are subject to change without notice. The specifications for the product described in this document are for reference only. Upon actual use, therefore, please request that specifications to be separately delivered.
- Application circuit diagrams and circuit constants contained herein are shown as examples of standard use and operation. Please pay careful attention to the peripheral conditions when designing circuits and deciding upon circuit constants in the set.
- Any data, including, but not limited to application circuit diagrams information, described herein are intended only as illustrations of such devices and not as the specifications for such devices. ROHM CO.,LTD. disclaims any warranty that any use of such devices shall be free from infringement of any third party's intellectual property rights or other proprietary rights, and further, assumes no liability of whatsoever nature in the event of any such infringement, or arising from or connected with or related to the use of such devices.
- Upon the sale of any such devices, other than for buyer's right to use such devices itself, resell or otherwise dispose of the same, no express or implied right or license to practice or commercially exploit any intellectual property rights or other proprietary rights owned or controlled by
- ROHM CO., LTD. is granted to any such buyer.
- Products listed in this document are no antiradiation design.

The products listed in this document are designed to be used with ordinary electronic equipment or devices (such as audio visual equipment, office-automation equipment, communications devices, electrical appliances and electronic toys).

Should you intend to use these products with equipment or devices which require an extremely high level of reliability and the malfunction of which would directly endanger human life (such as medical instruments, transportation equipment, aerospace machinery, nuclear-reactor controllers, fuel controllers and other safety devices), please be sure to consult with our sales representative in advance.

About Export Control Order in Japan

Products described herein are the objects of controlled goods in Annex 1 (Item 16) of Export Trade Control Order in Japan.

In case of export from Japan, please confirm if it applies to "objective" criteria or an "informed" (by MITI clause) on the basis of "catch all controls for Non-Proliferation of Weapons of Mass Destruction.

Thank you for your accessing to ROHM product informations.
More detail product informations and catalogs are available,
please contact your nearest sales office.

Please contact our sales offices for details ;

| | | |
|-------------------------|---------------------------|----------------------------|
| U.S.A / San Diego | TEL : +1(858)625-3630 | FAX : +1(858)625-3670 |
| Atlanta | TEL : +1(770)754-5972 | FAX : +1(770)754-0691 |
| Dallas | TEL : +1(972)312-8818 | FAX : +1(972)312-0330 |
| Germany / Dusseldorf | TEL : +49(2154)9210 | FAX : +49(2154)921400 |
| United Kingdom / London | TEL : +44(1)908-282-666 | FAX : +44(1)908-282-528 |
| France / Paris | TEL : +33(0)1 56 97 30 60 | FAX : +33(0) 1 56 97 30 80 |
| China / Hong Kong | TEL : +852(2)740-6262 | FAX : +852(2)375-8971 |
| Shanghai | TEL : +86(21)6279-2727 | FAX : +86(21)6247-2066 |
| Dilian | TEL : +86(411)8230-8549 | FAX : +86(411)8230-8537 |
| Beijing | TEL : +86(10)8525-2483 | FAX : +86(10)8525-2489 |
| Taiwan / Taipei | TEL : +866(2)2500-6956 | FAX : +866(2)2503-2869 |
| Korea / Seoul | TEL : +82(2)8182-700 | FAX : +82(2)8182-715 |
| Singapore | TEL : +65-6332-2322 | FAX : +65-6332-5662 |
| Malaysia / Kuala Lumpur | TEL : +60(3)7958-8355 | FAX : +60(3)7958-8377 |
| Philippines / Manila | TEL : +63(2)807-6872 | FAX : +63(2)809-1422 |
| Thailand / Bangkok | TEL : +66(2)254-4890 | FAX : +66(2)256-6334 |

Japan /
(Internal Sales)

| | | | |
|----------|--|-----------------------|-----------------------|
| Tokyo | 2-1-1, Yaesu, Chuo-ku, Tokyo 104-0082 | TEL : +81(3)5203-0321 | FAX : +81(3)5203-0300 |
| Yokohama | 2-4-8, Shin Yokohama, Kohoku-ku, Yokohama, Kanagawa 222-8575 | TEL : +81(45)476-2131 | FAX : +81(45)476-2128 |
| Nagoya | Dainagayo Building 9F 3-28-12, Meieki, Nakamura-ku, Nagoya, Aichi 450-0002 | TEL : +81(52)581-8521 | FAX : +81(52)561-2173 |
| Kyoto | 579-32 Higashi Shiokouji-cho, Karasuma Nishi-iru, Shiokoujidori, Shimogyo-ku, Kyoto 600-8216 | TEL : +81(75)311-2121 | FAX : +81(75)314-6559 |

(Contact address for overseas customers in Japan)

| | | |
|----------|-----------------------|------------------------|
| Yokohama | TEL : +81(45)476-9270 | FAX : +81(045)476-9271 |
|----------|-----------------------|------------------------|